



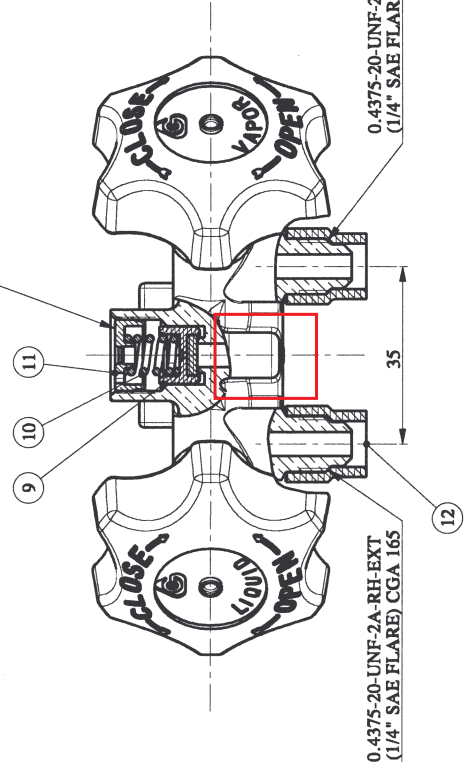


Marche:
 - Simbolo Cavagna Group 
 - EU
 - 208 CMF AIR
 - Mese e ultime due cifre dell'anno di costruzione
 - 42 bar
 - -40° C
 - 0184
 -  (logo come da disegno 2001100042)

Marchings:
 - Cavagna Group Symbol 
 - EU
 - 208 CMF AIR
 - Month and two last figures of year of construction
 - 42 bar
 - -40° C
 - 0184
 -  (logo as per draw 2001100042)

12	Thread protection	2	1201500385
11	Spring retainer	1	0801100007
10	Spring	1	0701100177
9	Assembled piston	1	0309500089
8	Pusher	1	3001102525
7	Assembled capsule	1	3001102524
6	Toroidal ring	1	0401105517
5	Blue Handwheel Ral 5017	1	0201100207
4	Red Handwheel Ral 3016	1	0201100206
3	Washer	2	1501100571
2	Assembled piston	2	0309500242
1	Body	1	0101501251
POS	DENOMINATION	Q.	DRAW NR.

42 bar ± 10% / 609 PSI



DESCRIPTION



GEN. TOLL. ±-	GEN. FILL. R.	ANG. TOLL. ±-	DRAFT	SCALE 1:1	SHEET 1 / 1
RESPONS.	DRAWN	ISSUE		MATERIAL	
DATE	03-05-96	03-05-96			
SIGNATURE	Miglioranzani	Donini			
NUMBER	05088	PROJECT			
SIGN.	Treccani	REFERENCE			
INDEX	A2	XXXXX	XXXXX	XXXXX	XXXXX
ACTIVITY					
					DRAW NUMBER
					7601900184

Cylinder valve for refrigerant gases